



John M. Ellsworth Co., Inc.

A John M. Ellsworth Company

P.O. Box 240072
8700 West Bradley Road
Milwaukee, WI 53224

800-333-3331 **PHONE**

info@jmesales.com **E-MAIL**
www.JMEsales.com **WEB**

LAD-STAL Series Mobile Ladder Stands

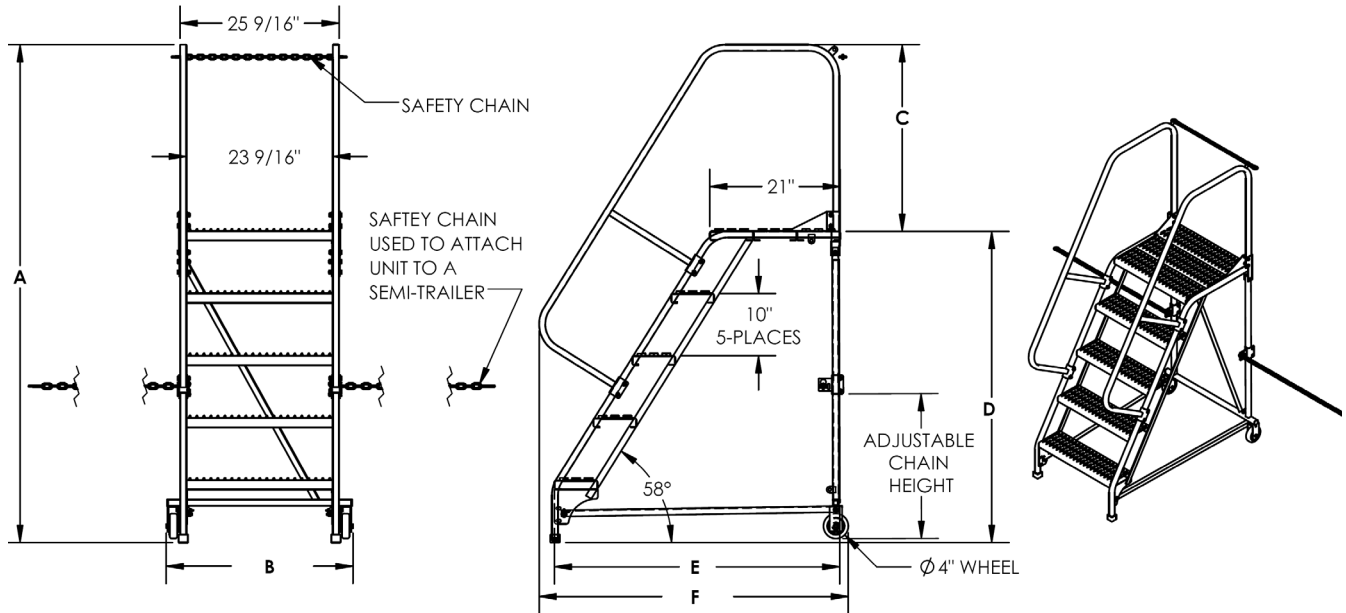


Receiving instructions

After delivery, remove the packaging from the product. Inspect the product closely to determine whether it sustained damage during transport. If damage is discovered, record a complete description of it on the bill of lading. If the product is undamaged, discard the packaging.

NOTE: The end-user is solely responsible for confirming that product design, use, and maintenance comply with laws, regulations, codes, and mandatory standards applied where the product is used.




Table of Contents		Page
Specifications.....		2
Signal Words.....		3
Safety Instructions.....		3
LAD-STAL-5-G & LAD-STAL-5-G-YL.....		4
LAD-STAL-5-P & LAD-STAL-5-P-YL.....		5
LAD-STAL-6-G & LAD-STAL-6-G-YL.....		6
LAD-STAL-6-P & LAD-STAL-6-P-YL.....		7
Assembly Instructions.....		8, 9, 10
Record of Satisfactory Condition.....		10
National Standards.....		10
Using the Ladder.....		10, 11
Inspections & Maintenance.....		11
Labeling Diagram.....		12
Limited Warranty.....		13



Model	Number of steps	A: Overall height	B: Overall width	C: Railing height	D: Platform height	E: Usable length	F: Overall length	Step slope	Capacity	Net Weight
LAD-STAL-5-G	5	80"	30 ¹ / ₁₆ "	30"	50"	46"	49 ³ / ₄ "	58°	350 lb.	210 lb.
LAD-STAL-5-G-YL	5	80"	30 ¹ / ₁₆ "	30"	50"	46"	49 ³ / ₄ "	58°	350 lb.	180 lb.
LAD-STAL-5-P	5	80"	30 ¹ / ₁₆ "	30"	50"	46"	49 ³ / ₄ "	58°	350 lb.	210 lb.
LAD-STAL-5-P-YL	5	80"	30 ¹ / ₁₆ "	30"	50"	46"	49 ³ / ₄ "	58°	350 lb.	180 lb.
LAD-STAL-6-G	6	90"	29 ¹ / ₂ "	30"	60"	52 ¹ / ₄ "	56 ¹¹ / ₁₆ "	58°	350 lb.	220 lb.
LAD-STAL-6-G-YL	6	90"	29 ¹ / ₂ "	30"	60"	52 ¹ / ₄ "	56 ¹¹ / ₁₆ "	58°	350 lb.	210 lb.
LAD-STAL-6-P	6	90"	29 ¹ / ₂ "	30"	60"	52 ¹ / ₄ "	56 ¹¹ / ₁₆ "	58°	350 lb.	220 lb.
LAD-STAL-6-P-YL	6	90"	29 ¹ / ₂ "	30"	60"	52 ¹ / ₄ "	56 ¹¹ / ₁₆ "	58°	350 lb.	210 lb.

SIGNAL WORDS

SIGNAL WORDS IN THIS MANUAL DRAW THE READER'S ATTENTION TO IMPORTANT SAFETY-RELATED MESSAGES.

 DANGER	Identifies a hazardous situation which, if not avoided, WILL result in DEATH or SERIOUS INJURY . Use of this signal word is limited to the most extreme situations.
 WARNING	Identifies a hazardous situation which, if not avoided, COULD result in DEATH or SERIOUS INJURY .
 CAUTION	Indicates a hazardous situation which, if not avoided, COULD result in MINOR or MODERATE injury.
NOTICE	Identifies practices likely to result in product/property damage, such as operation that might damage the product.

SAFETY INSTRUCTIONS

Vestil strives to identify foreseeable hazards associated with the use of its products, but no manual can address every conceivable risk. Reduce risk by applying sound judgment whenever using this device. Acquire a copy of the latest version of ANSI A14.7 ("A14.7" or the "Standard"). Apply all parts of the Standard that concern using, inspecting, maintaining & repairing the ladder. **Keep a copy of this manual with the ladder at all times**, e.g. inside a plastic pouch attached to the frame. **Anyone who uses this ladder must be made aware that a copy of the manual is available and where to find it.**

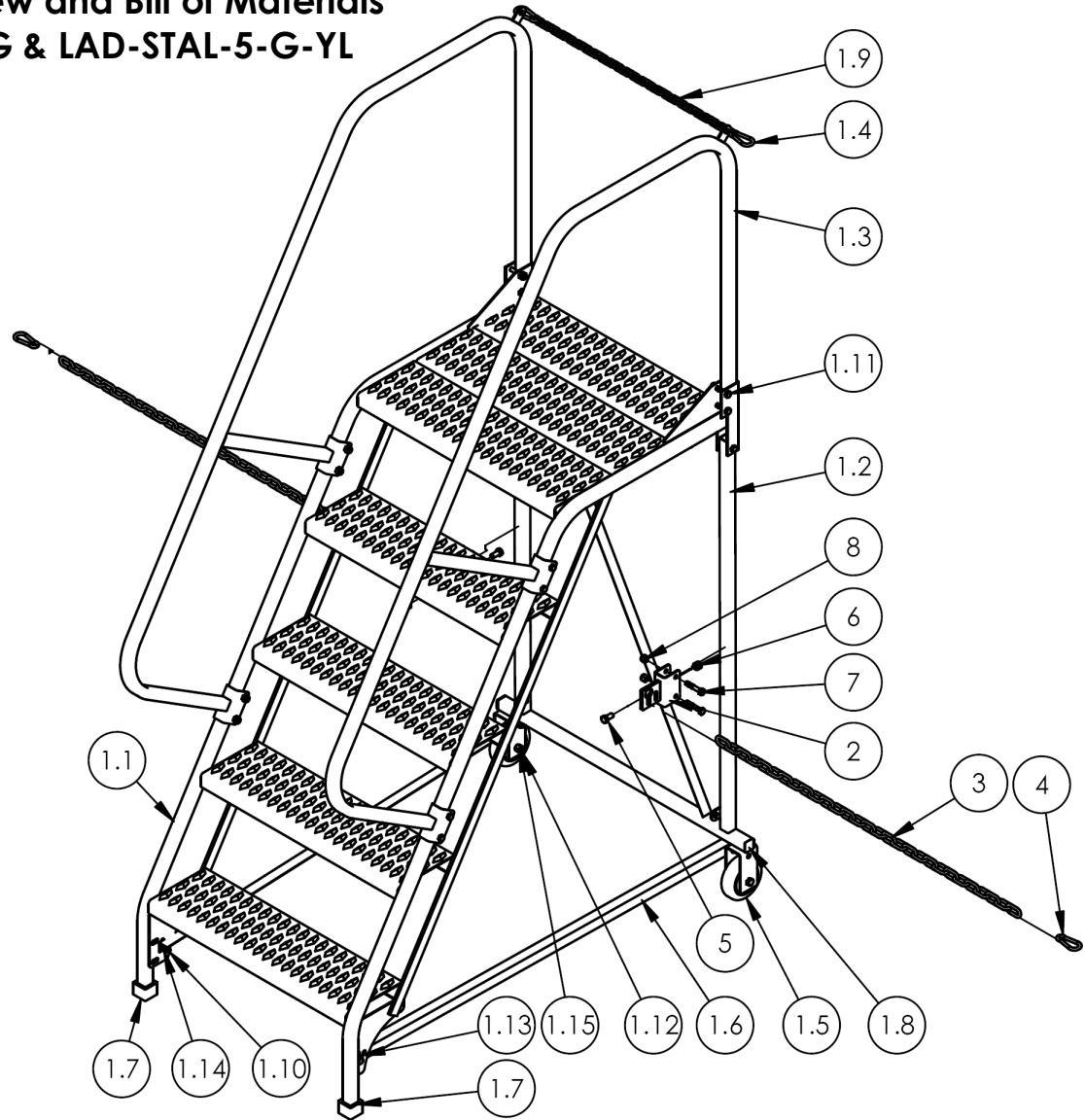
WARNING

If this product is used improperly or carelessly, the user and/or bystanders might sustain serious personal injuries or could even be killed. ALWAYS use the product properly:

- **Read & understand the entire manual before assembling, using, inspecting, or servicing the ladder.**
- **DO NOT use this ladder unless you are in good health. NEVER use the ladder while under the influence of alcohol or drugs, including prescription medication that affects balance, perception, or judgment.**
- DO NOT exceed the capacity/rated load. The total weight applied to the ladder (weight of the user plus tools, etc.) must not be greater than the capacity. The capacity is provided on label 1153. See [LABELING DIAGRAM](#) on p. 12.
- Wear appropriate footwear. DO NOT wear high-heeled shoes or footwear with smooth soles.
- DO NOT use the ladder on uneven, sloped, or unstable surfaces. ONLY use the ladder on even, level surfaces.
- Make sure that you will not contact overhead objects with either your body or with the ladder during use.
- Avoid electrical shock! Take precautions to prevent any contact, or possible contact, with an energized, insulated conductor (electrical line).
- Remove foreign matter, e.g. mud, from your shoes *before* walking on the ladder. Only wear slip-resistant shoes.
- Only stand on the steps or the platform. DO NOT climb onto the railing. DO NOT slide on the railing.
- DO NOT access, or egress from, any step or the platform from another elevated surface unless the ladder is positively secured against movement.
- ALWAYS face the stairs and use the handrails while ascending and descending the ladder.
- DO NOT increase the height of the platform or of a step by standing on other objects placed on the ladder.
- Inspect the ladder as described in [INSPECTIONS & MAINTENANCE](#) on p. 11. DO NOT use the ladder unless it is in *Satisfactory Condition*. ONLY use manufacturer-approved replacement parts when repairs are necessary.
- DO NOT use the ladder if the caps on the front legs are significantly worn. See applicable [EXPLODED VIEW](#) on p. 4-7. Caps should prevent the ladder from sliding. If either or both caps are too worn to function properly, replace them before using the ladder again.
- ONLY use the ladder to access elevated working positions. DO NOT use the ladder for any other purpose. DO NOT store materials and/or equipment on the steps or platform. Always unload the ladder before leaving it unattended.
- DO NOT position an occupied ladder in front of a door unless that door is secured in an open position, is locked, is attended, or is barricaded.
- DO NOT lean, or reach, over the handrails or guardrails of the ladder. Position the ladder as close to the work as possible. Reposition the ladder to prevent overreaching. Overreaching could cause instability and result in a fall.
- Avoid sudden shifts while on the ladder. DO NOT push, pull, or lean on the handrails or guardrails.
- DO NOT skip steps. Climb the ladder one step at a time.
- DO NOT attempt to move the ladder while someone is using it. The ladder must be unoccupied before it is moved.
- DO NOT use the ladder to transport people or objects. DO NOT ride on the ladder
- DO NOT remove or obscure any label. Each label must be readable, undamaged, and present in the appropriate location. See [LABELING DIAGRAM](#) on p. 12.
- DO NOT modify this ladder! Unauthorized modifications automatically void the [LIMITED WARRANTY](#) (p. 13) and might make the ladder unsafe to use.
- Only locking fasteners should be used. During assembly, confirm that there are only locking nuts. Contact [TECHNICAL SERVICE](#) (see cover page) if you find non-locking nuts. Lock nuts can only safely be used once. Discard used lock nuts and install new lock nuts after unfastening any connection.

Exploded View and Bill of Materials LAD-STAL-5-G & LAD-STAL-5-G-YL

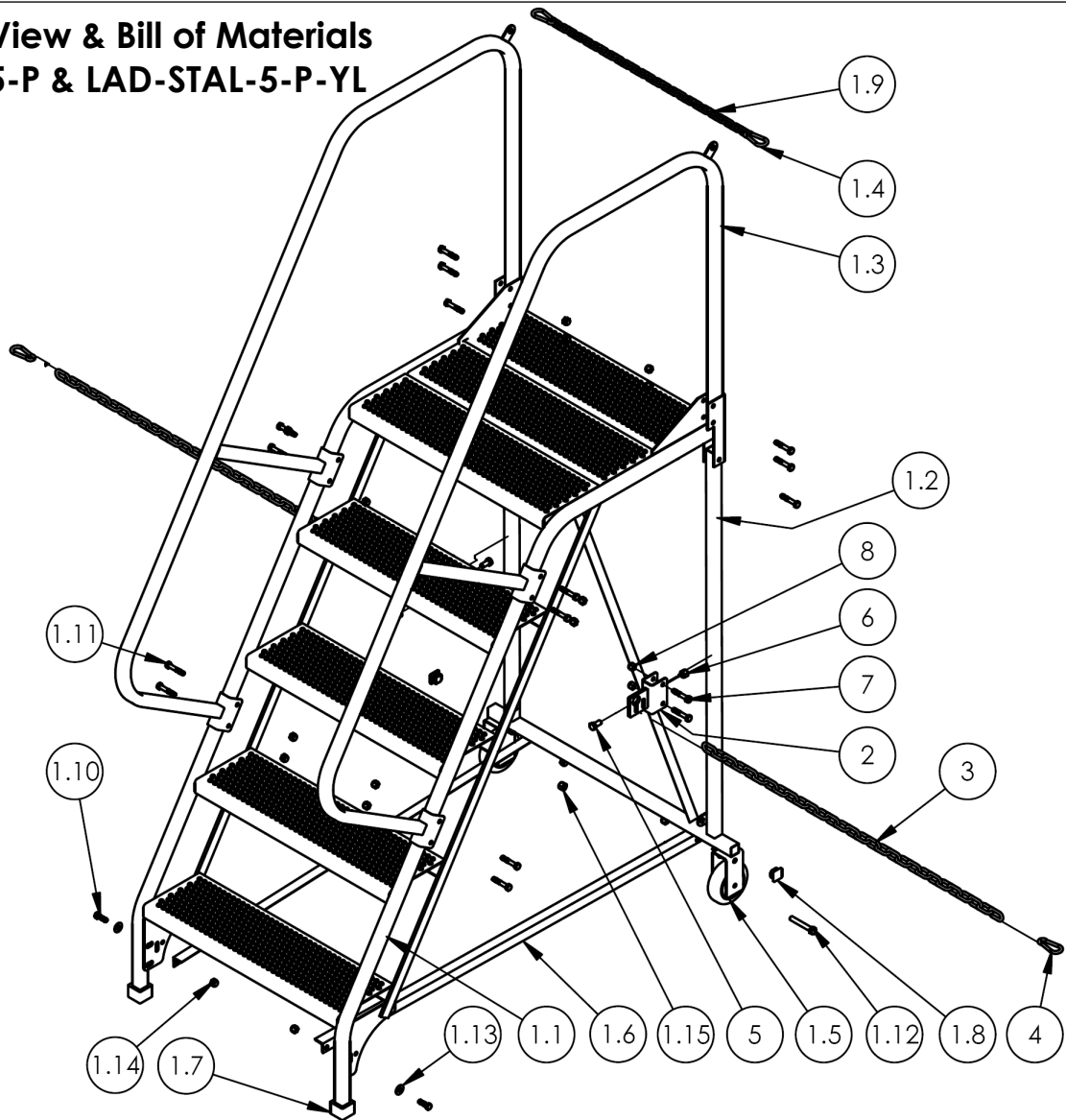
44-006-683



Item	Part no.	Description	Qty.	Item	Part no.	Description	Qty.
1	44-001-175	FINAL ASSEMBLY, W/O SHIPPING	1	1.12	11113	HEX BOLT, GRADE A, PLAIN FINISH, 3/8"-16 X 2-1/2"	2
1.1	44-647-011	WELDMENT, 5-STEP FRAME	1	1.13	33006	FLAT WASHER, ZINC PLATED, USS, Ø5/16"	4
1.2	44-514-302	WELDMENT, BACK LEG, 5-STEP, 26" STEP	1	1.14	37021	NYLON INSERT LOCK NUT, GRADE 2, ZINC FINISH, 5/16"-18	18
1.3	44-524-057	WELDMENT, HANDRAIL	2	1.15	37024	NYLON INSERT LOCK NUT, GRADE 2, ZINC FINISH, 3/8"-16	2
1.4	08-145-008	SPECIALTY HARDWARE, SNAP HOOK, Ø1/4	2	2	44-516-028	WELDMENT, BRACKET	2
1.5	16-132-009	PP-4/1.25-W	2	3	99-145-040	Ø1/4" CHAIN 36"	2
1.6	44-014-320	FRAME, BASE SUPPORT	2	4	08-145-008	SPECIALTY HARDWARE, SNAP HOOK, Ø1/4	2
1.7	99-024-027	SQUARE CAP, 1" X 1", 60 DURO.	2	5	11103	HEX BOLT, GRADE A, ZINC PLATED, 3/8-16X3/4	2
1.8	99-025-025	1" PLASTIC PLUG (BLACK)	4	6	37024	NYLON INSERT LOCK NUT, GRADE 2, ZINC FINISH, 3/8"-16	2
1.9	99-145-031	Ø3/16 CHAIN 24"	1	7	11060	HHCS HEX BOLT, GRADE A, Ø 5/16 -18 UNC X 1 3/4 LG.	4
1.1	11055	HEX BOLT, GRADE A, ZINC PLATED, 5/16-18 X 1	4	8	37021	NYLON INSERT LOCK NUT, GRADE 2, ZINC FINISH, 5/16"-18	4
1.11	11060	HHCS HEX BOLT, GRADE A, Ø 5/16 -18 UNC X 1 3/4 LG.	14				

Exploded View & Bill of Materials LAD-STAL-5-P & LAD-STAL-5-P-YL

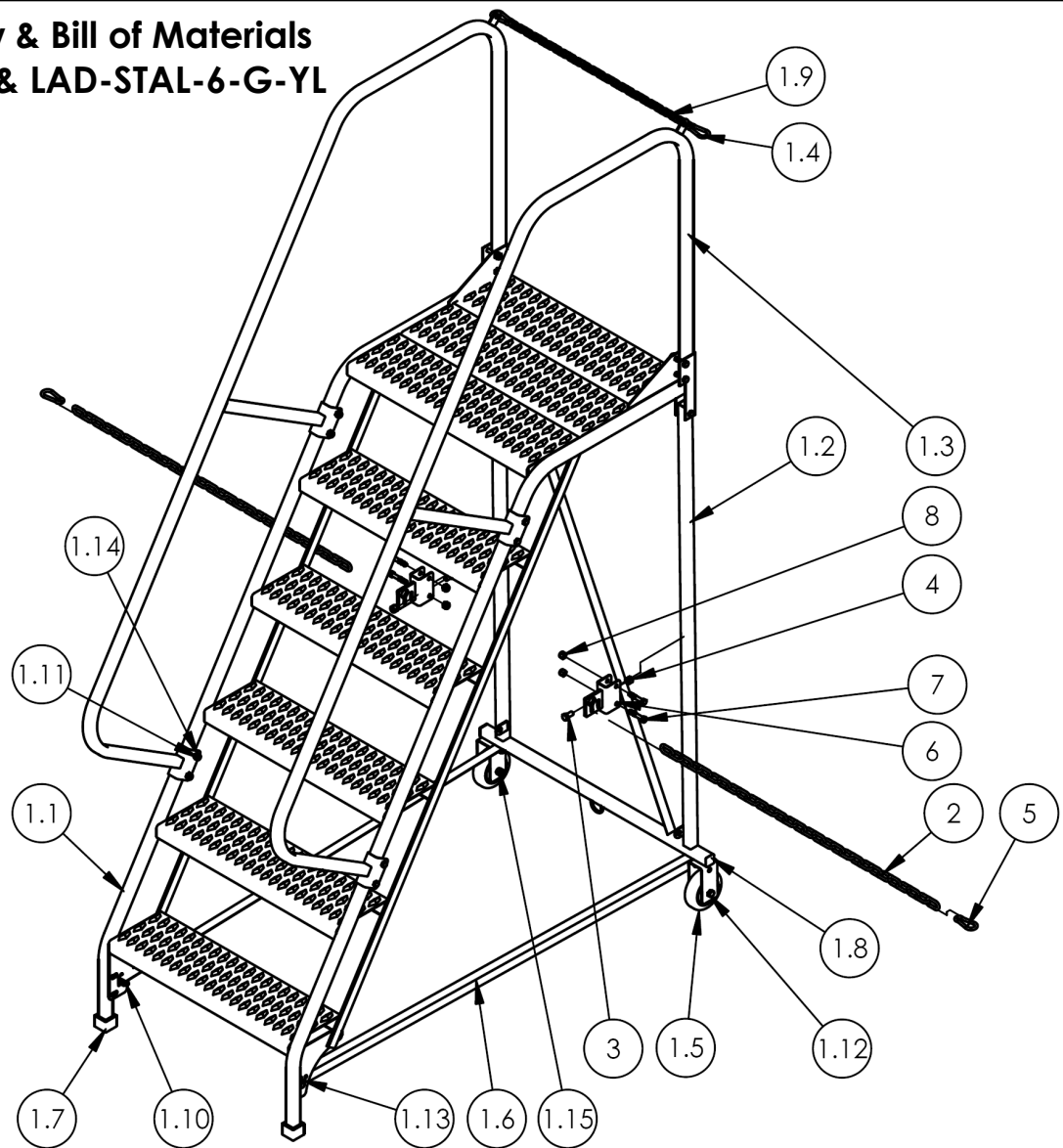
44-006-691



Item	Part no.	Description	Qty.	Item	Part no.	Description	Qty.
1	44-001-171	FINAL ASSEMBLY, W/O SHIPPING	1	1.12	11113	HEX BOLT, GRADE A, PLAIN FINISH, 3/8"-16 X 2-1/2"	2
1.1	44-647-007	WELDMENT, 5-STEP FRAME	1	1.13	33006	FLAT WASHER, ZINC PLATED, USS, Ø5/16"	4
1.2	44-514-302	WELDMENT, BACK LEG, 5-STEP, 26" STEP	1	1.14	37021	NYLON INSERT LOCK NUT, GRADE 2, ZINC FINISH, 5/16"-18	18
1.3	44-524-057	WELDMENT, HANDRAIL	2	1.15	37024	NYLON INSERT LOCK NUT, GRADE 2, ZINC FINISH, 3/8"-16	2
1.4	08-145-008	SPECIALTY HARDWARE, SNAP HOOK, Ø1/4	2	2	44-516-028	WELDMENT, BRACKET	2
1.5	16-132-009	PP-4/1.25-W	2	3	99-145-040	Ø1/4" CHAIN 36"	2
1.6	44-014-320	FRAME, BASE SUPPORT	2	4	08-145-008	SPECIALTY HARDWARE, SNAP HOOK, Ø1/4	2
1.7	99-024-027	SQUARE CAP, 1" X 1", 60 DURO.	2	5	11103	HEX BOLT, GRADE A, ZINC PLATED, 3/8-16X3/4	2
1.8	99-025-025	1" PLASTIC PLUG (BLACK)	4	6	37024	NYLON INSERT LOCK NUT, GRADE 2, ZINC FINISH, 3/8"-16	2
1.9	99-145-031	Ø3/16 CHAIN 24"	1	7	11060	HHCS HEX BOLT, GRADE A, Ø 5/16 - 18 UNC X 1 3/4 LG.	4
1.10	11055	HEX BOLT, GRADE A, ZINC PLATED, 5/16-18 X 1	4	8	37021	NYLON INSERT LOCK NUT, GRADE 2, ZINC FINISH, 5/16"-18	4
1.11	11060	HHCS HEX BOLT, GRADE A, Ø 5/16 - 18 UNC X 1 3/4 LG.	14				

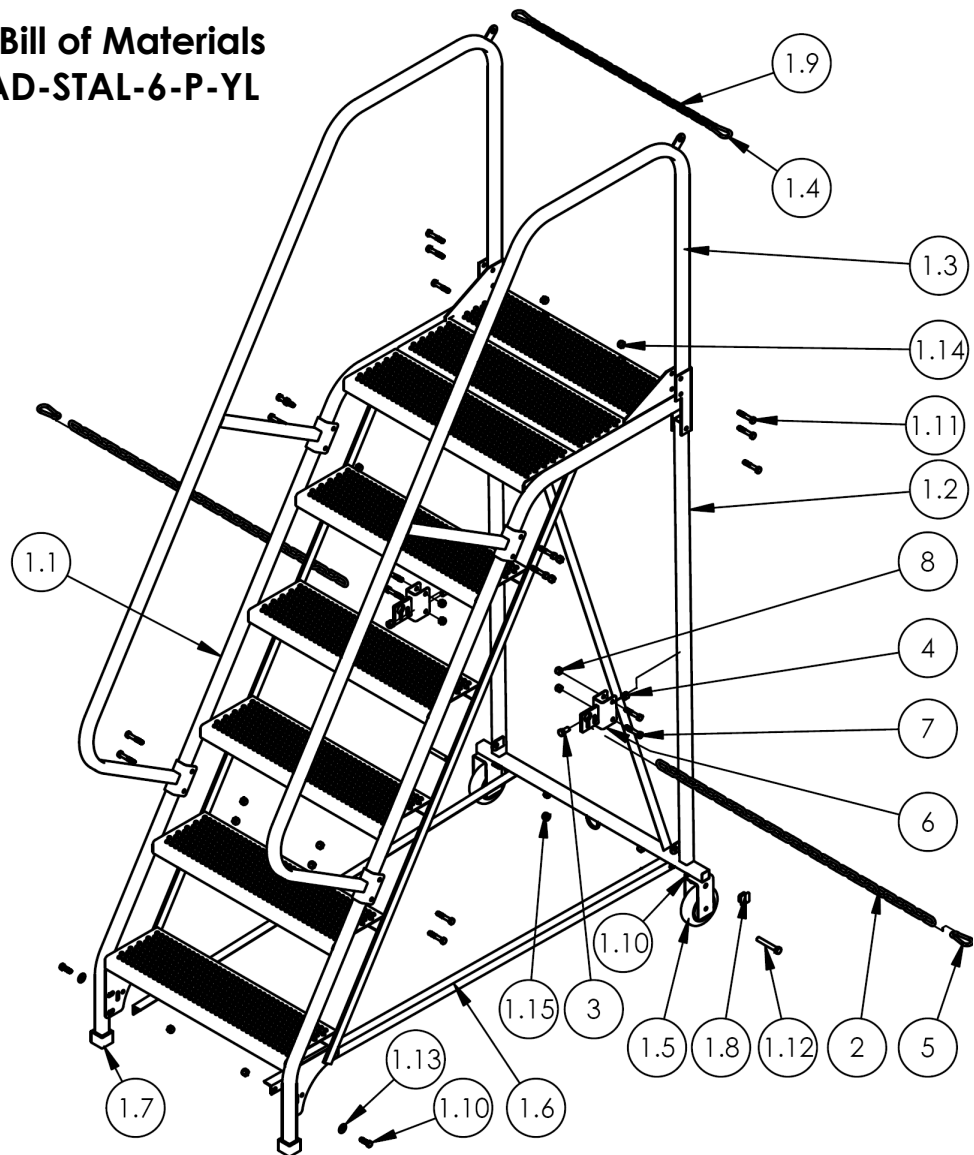
Exploded View & Bill of Materials LAD-STAL-6-G & LAD-STAL-6-G-YL

44-006-684



Item	Part no.	Description	Qty.	Item	Part no.	Description	Qty.
1	44-001-176	FINAL ASSEMBLY, W/O SHIPPING	1	1.12	11113	HEX BOLT, GRADE A, PLAIN FINISH, 3/8"-16 X 2-1/2"	2
1.1	44-647-012	WELDMENT, 6-STEP FRAME	1	1.13	33006	FLAT WASHER, ZINC PLATED, USS, Ø5/16"	4
1.2	44-514-303	WELDMENT, BACK LEG, 6-STEP, 26" STEP	1	1.14	37021	NYLON INSERT LOCK NUT, GRADE 2, ZINC FINISH, 5/16"-18	18
1.3	44-524-039	WELDMENT, HANDRAIL	2	1.15	37024	NYLON INSERT LOCK NUT, GRADE 2, ZINC FINISH, 3/8"-16	2
1.4	08-145-008	SPECIALTY HARDWARE, SNAP HOOK, Ø1/4	2	2	99-145-040	Ø1/4" CHAIN 36"	2
1.5	16-132-009	PP-4/1.25-W	2	3	11103	HEX BOLT, GRADE A, ZINC PLATED, 3/8-16X3/4	2
1.6	44-014-238	BASE SUPPORT	2	4	37024	NYLON INSERT LOCK NUT, GRADE 2, ZINC FINISH, 3/8"-16	2
1.7	99-024-027	SQUARE CAP, 1" X 1", 60 DURO.	2	5	08-145-008	SPECIALTY HARDWARE, SNAP HOOK, Ø1/4	2
1.8	99-025-025	1" PLASTIC PLUG (BLACK)	4	6	44-516-028	WELDMENT, BRACKET	2
1.9	99-145-031	Ø3/16 CHAIN 24"	1	7	11060	HHCS HEX BOLT, GRADE A, Ø 5/16 - 18 UNC X 1 3/4 LG.	4
1.10	11055	HEX BOLT, GRADE A, ZINC PLATED, 5/16-18 X 1	4	8	37021	NYLON INSERT LOCK NUT, GRADE 2, ZINC FINISH, 5/16"-18	4
1.11	11060	HHCS HEX BOLT, GRADE A, Ø 5/16 - 18 UNC X 1 3/4 LG.	14				

Exploded View & Bill of Materials
LAD-STAL-6-P & LAD-STAL-6-P-YL
 44-006-692



Item	Part no.	Description	Qty.	Item	Part no.	Description	Qty.
1	44-001-172	FINAL ASSEMBLY, W/O SHIPPING	1	1.12	11113	HEX BOLT, GRADE A, PLAIN FINISH, 3/8"-16 X 2-1/2"	2
1.1	44-647-008	WELDMENT, 6-STEP FRAME	1	1.13	33006	FLAT WASHER, ZINC PLATED, USS, Ø5/16"	4
1.2	44-514-303	WELDMENT, BACK LEG, 6-STEP, 26" STEP	1	1.14	37021	NYLON INSERT LOCK NUT, GRADE 2, ZINC FINISH, 5/16"-18	18
1.3	44-524-039	WELDMENT, HANDRAIL	2	1.15	37024	NYLON INSERT LOCK NUT, GRADE 2, ZINC FINISH, 3/8"-16	2
1.4	08-145-008	SPECIALTY HARDWARE, SNAP HOOK, Ø1/4	2	2	99-145-040	Ø1/4" CHAIN 36"	2
1.5	16-132-009	PP-4/1.25-W	2	3	11103	HEX BOLT, GRADE A, ZINC PLATED, 3/8-16X3/4	2
1.6	44-014-238	BASE SUPPORT	2	4	37024	NYLON INSERT LOCK NUT, GRADE 2, ZINC FINISH, 3/8"-16	2
1.7	99-024-027	SQUARE CAP, 1" X 1", 60 DURO.	2	5	08-145-008	SPECIALTY HARDWARE, SNAP HOOK, Ø1/4	2
1.8	99-025-025	1" PLASTIC PLUG (BLACK)	4	6	44-516-028	WELDMENT, BRACKET	2
1.9	99-145-031	Ø3/16 CHAIN 24"	1	7	11060	HHCS HEX BOLT, GRADE A, Ø 5/16 - 18 UNC X 1 3/4 LG.	4
1.10	11055	HEX BOLT, GRADE A, ZINC PLATED, 5/16-18 X 1	4	8	37021	NYLON INSERT LOCK NUT, GRADE 2, ZINC FINISH, 5/16"-18	4
1.11	11060	HHCS HEX BOLT, GRADE A, Ø 5/16 - 18 UNC X 1 3/4 LG.	14				

ASSEMBLING THE LADDER

▲ WARNING

Read this manual before assembling the ladder. Improper assembly might make the ladder unsafe to use.

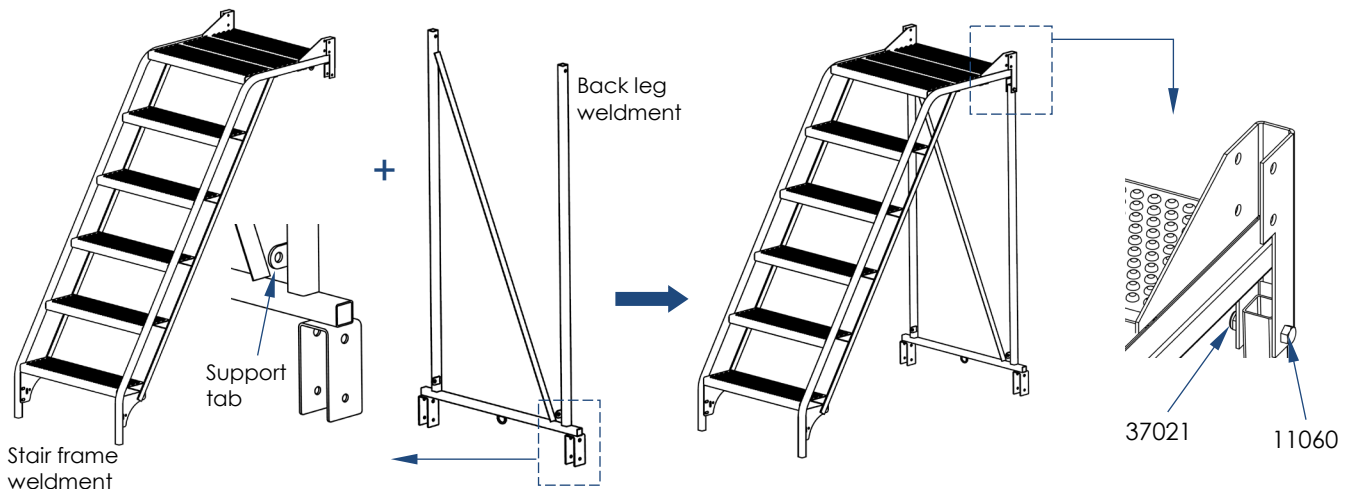
- Inspect the ladder components *prior to assembly*. Examine each part of the ladder immediately after delivery from the shipper. Look for damage that might have occurred during shipping. DO NOT assemble or use the ladder stand if you notice any damage to one or more of the steps or to any other structural element (step weldment, back leg weldment, base supports, and handrails) of the ladder. Using the ladder stand despite weakness of a frame member could result in serious personal injuries. DO NOT use your ladder stand if any of the hardware (bolts, nuts, etc.) is damaged. Contact Vestil to order replacement parts.
- DO NOT assemble the ladder by yourself. At least 2 people are needed for assembly.
- Read the entire instruction manual before assembling this ladder.
- DO NOT use the ladder if a wheel is damaged because the ladder might wobble or tip during use.
- Apply lifting techniques to minimize back strain if you must pick up ladder parts or move the ladder.

The following tools are necessary to assemble the ladder:

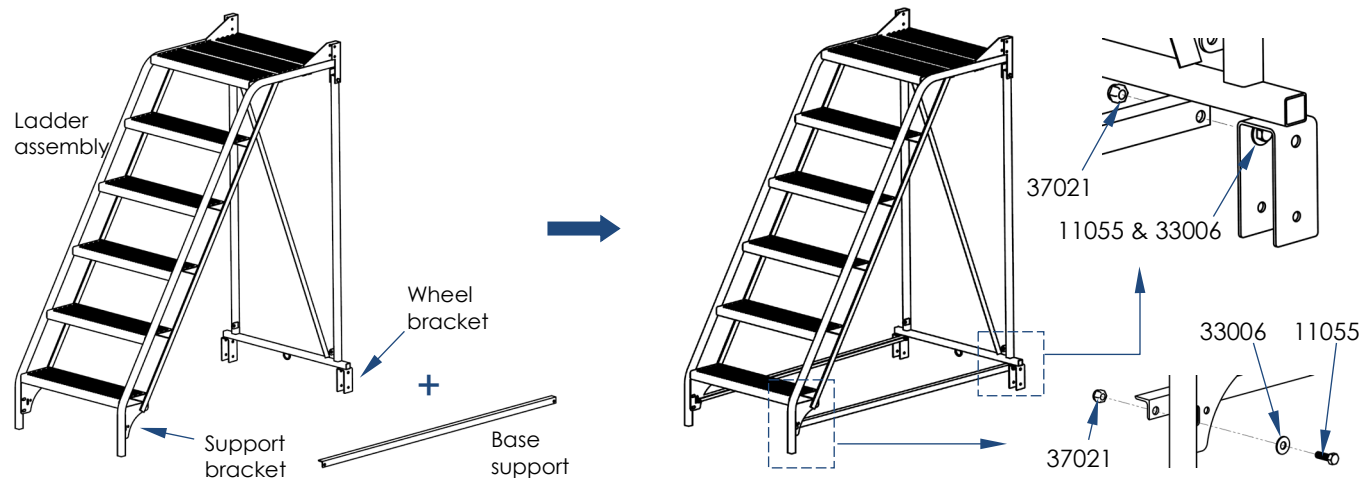
1. 2 crescent wrenches (adjustable to 1/2in.)
2. Rubber mallet
3. Pliers, preferably needle nose, to bend arms of cotter pins
4. Proper work clothing, eye protection, gloves
5. Sturdy wall no shorter than 8 feet high
6. At least 30ft by 10ft of floor space is required to raise or collapse the ladder
7. (If indoors) ceiling at least 16ft high.

NOTE: Numbers in the diagrams and in parentheses () correspond to part numbers in the [Exploded Views](#) on pages 4-7.

Step 1: Fasten the back leg weldment to the stair frame weldment with $\frac{5}{16}$ in. hardware. Be sure to orient the back leg weldment as shown below (support tabs should face inwards).

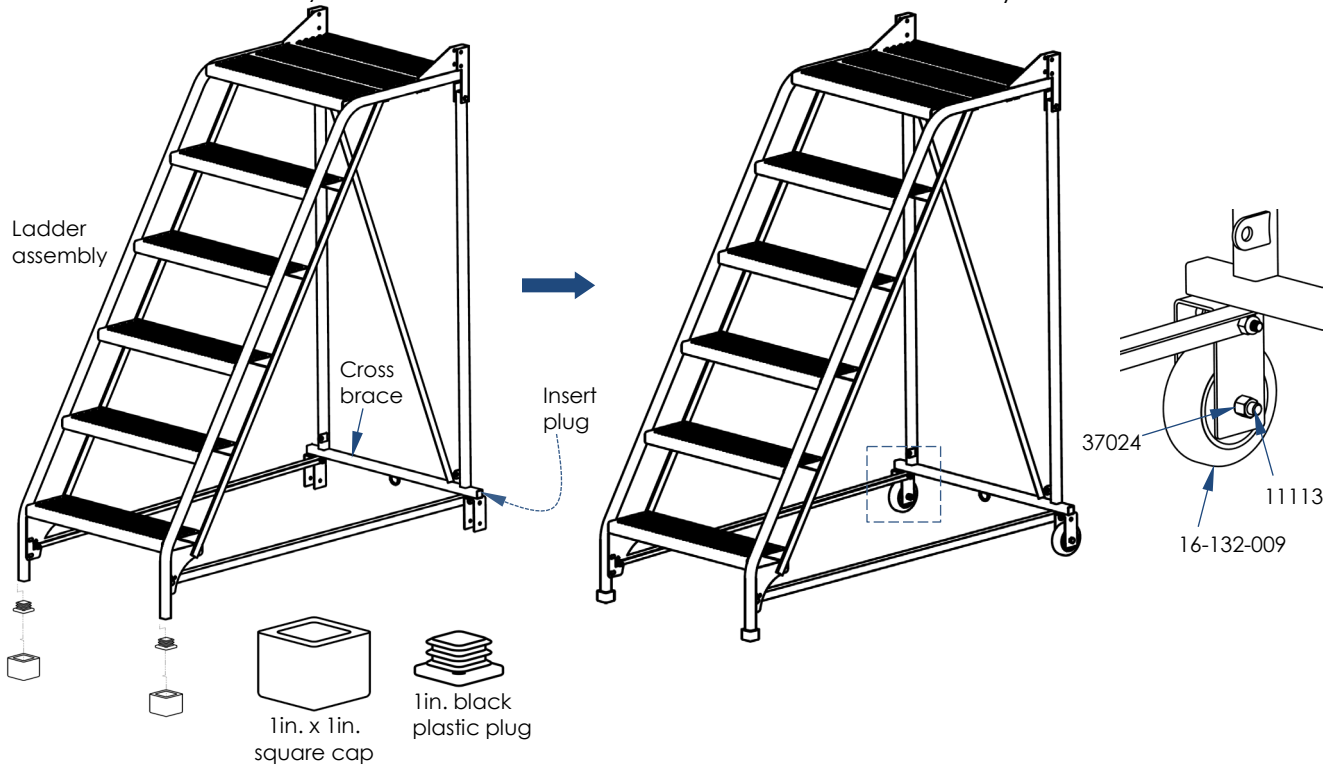


Step 2: Fasten base supports to support brackets and wheel brackets with $\frac{5}{16}$ in. – 18 hardware as shown below.

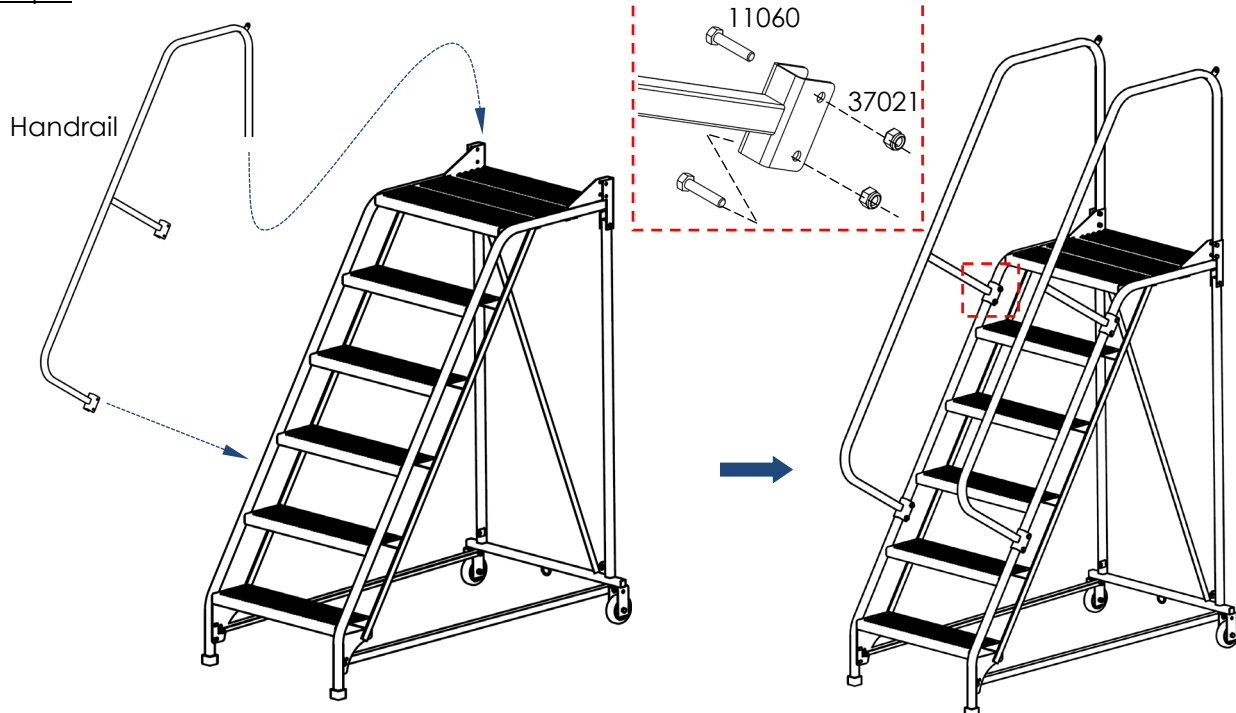


Step 3: Install the plugs, caps, and wheels.

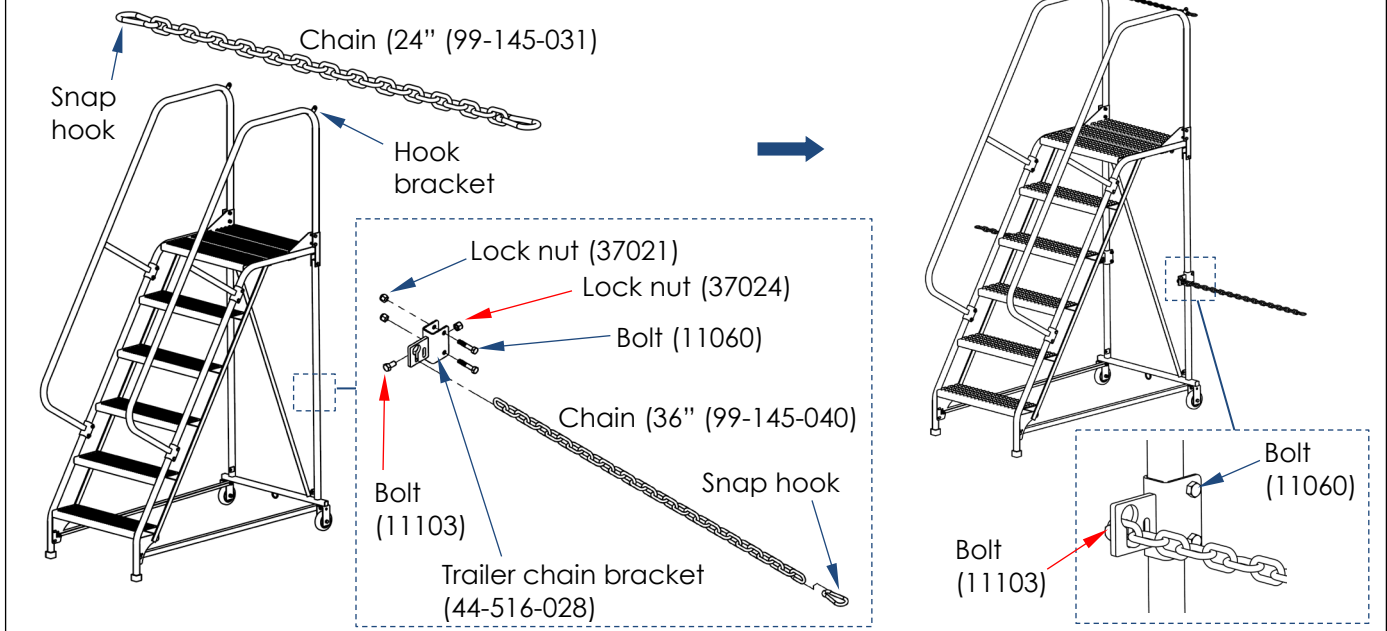
- a) Install the plastic plugs and square caps in the leg tubes. First, press the 1in. plastic plug into the leg tubes. Then, press the square caps over the plugs and onto the ends of the legs. If necessary, use a rubber mallet to gently tap the plugs and caps into place.
- b) Press a plug into each end of the cross brace.
- c) Then, insert the wheels into the wheel brackets and install $\frac{3}{8}$ "-16 x 2 $\frac{1}{2}$ " bolts (11113). Secure the bolts with axle. Periodically lubricate the bolts to allow the wheels to rotate freely.



Step 4: Attach the handrails.



Step 6: Install the platform chain. Attach the snap hooks at both ends of the platform chain to the hook brackets. Then, attach the trailer chain brackets (44-516-028) to the back leg weldment with 2 bolts (11060) and lock nuts (37021) each. Feed the end link of one end of the chain through the key-shaped hole in a chain bracket. Then, insert a bolt (11103) through the link. Tightly attach a lock nut (37024) to the bolt. Repeat this process with the other bracket and truck chain.



RECORD OF SATISFACTORY CONDITION (THE “RECORD”)

After assembling the ladder and before putting it into service, inspect the ladder. Record the condition and appearance of each of the frame members (step weldment, back leg weldment, base support frame members), the handrails, wheels and/or casters, (leg) caps, back platform frame and chain, trailer brackets and chains, and all fasteners (bolts, lock nuts, etc.). Thoroughly photograph the ladder from multiple angles. Include close range photographs of the rubber leg caps, casters and wheels, all labeling, and all handrail connections. Add the photographs to the record. Collate all photographs and writings into a single file. This file is a record of the ladder in satisfactory condition. Compare the results of all inspections to this Record to determine whether the ladder is in satisfactory condition. Do not use the ladder unless it is in satisfactory condition. Purely cosmetic changes, like damaged paint or powdercoat, are not changes from satisfactory condition. However, touchup paint should be applied as soon as damage occurs.

NATIONAL STANDARDS

This product is a “mobile ladder stand” (MLS). [ANSI standard A14.7](#) (the “Standard”) applies to MLS’s. You *should* acquire a copy of the latest version of the standard. Follow all use and maintenance/care instructions provided in the Standard as well as all other provisions for MLS owners and users. If any content in this manual conflicts with any mandatory provision(s) in the Standard, apply the provision(s) from the Standard.

USING THE LADDER

Review the [SAFETY INSTRUCTIONS](#) on p. 3 before using the ladder.

Inspect the ladder before each use for damage, such as unusual wear, deterioration, or corrosion. Tighten loose nuts. If a lock nut has been partially or completely unfastened, replace it with a new lock nut.

Make sure there are no children in the area where the ladder is used or stored.

Climbing the ladder:

ONLY use this ladder on solid, level ground. Never use the ladder on sloped surfaces. The ladder must not wobble or lean while in use. Only climb the ladder when the steps and handrails are clean and dry.

The rubber caps on the front legs must solidly contact the ground. The caps are provided to help the ladder resist movement during use. Confirm solid contact between the entire bottom surface of each cap and the floor before climbing the ladder. Do not use the ladder if either or both of the rubber caps are

damaged (worn, cracked, torn, or cut-through) by the front legs (see [STEP 3](#) on p. 9). Remove the ladder from service until new caps are installed.

Attach both trailer chains to the trailer in such a way that the ladder cannot roll away from the trailer. For instance, wrap chains around the rear impact guard without slack.

Face the ladder and grasp the handrails while ascending or descending the steps. Do not lean against the handrails, the guardrails (around the top of the ladder), or the cross bar or chain. Do not lean over the handrails, guardrails, or cross bar.

To move the ladder, grasp either the handrails or the side rails. Carefully lift the front of the ladder off of the ground. Ladders with more steps are heavier and therefore require more effort to move. Only attempt to lift and move the ladder if you are able to comfortably lift it and can easily control it.

INSPECTIONS & MAINTENANCE

Inspections and repairs should only be performed by qualified persons. Compare the results of each inspection to the [RECORD OF SATISFACTORY CONDITION](#) (the "RECORD"). Do not use the ladder unless all parts are in satisfactory condition. Replace parts that are not in satisfactory condition before using the ladder again. **DON'T GUESS! If you have any questions about the condition of your ladder, speak with [TECHNICAL SERVICE](#) personnel.** The phone number is provided on the cover page of this manual. **Never make temporary repairs of damaged or missing parts.** Only use manufacturer-approved replacement parts. DO NOT continue to use the ladder if damage cannot be repaired.

Before each use inspect the ladder for any sustained damage such as impact/collision damage, unusual wear, deterioration, or corrosion. Look for loose connections. Tighten all loose connections. If any lock nut is removed from its bolt, it must be replaced with a new lock nut.

Regular inspections — **at least once per month** inspect the following items. Replace all parts not in satisfactory condition before returning the ladder to service.

- **Handrails, guardrails, cross bar/chain, trailer brackets and trailer chains, snap hooks, and platform chain:** Inspect both handrails. Confirm that they are solidly fastened to the step weldment and to the platform. Each handrail should be straight, rigid, and undamaged. Examine the guardrails around the platform for damage, bends, and cracks. Examine the cross bar, the guardrail chain, trailer brackets and trailer chains, and snap hooks (if included with your ladder model). Confirm that the cross bar and chain are undamaged and securely fastened to the guard railing. Snap hooks should close automatically. Trailer brackets and chains must be undamaged and solidly fastened to the back leg weldment.
- **Back leg weldment and wheels:** Make sure that the back leg weldment is undamaged, e.g. not bent, cracked, or warped. Check the wheels. They must not be cracked or significantly worn. Wheels should be vertical (not angled towards or away from the ladder) and should roll smoothly. Make sure that the wheel fasteners are undamaged. If any lock nut is loose, replace it with a new lock nut.
- **All frame members (step weldment, back leg weldment, base supports, handrails) and all fasteners (bolts, nuts, pins):** Inspect each frame member weekly for damage like excessive wear, warps, cracks, and other types of damage. All frame pieces should be square, rigid, and free of rust and corrosion. Remove rust with steel wool or a metal bristle brush and apply touch-up paint to the affected area. Check the areas where frame members are bolted together. Check the areas around bolt holes for warps, cracks, etc. Replace all parts that are damaged before using the ladder again.
- **Square rubber foot caps:** Check the caps for cracks, tears, wear, or for the bottoms of the front legs cutting through the caps. Install replacement caps before returning the ladder to service. Even a moderate amount of wear can affect the ability of a cap to resist sliding movement. The entire bottom surface of each cap must contact the floor.
- **Outriggers (11 and 12 step models):** Examine the outriggers and confirm that they are securely fastened to the step weldment. Both outriggers should make solid contact with the ground, i.e. the ladder should not be able to wobble. Confirm that the caps on the outrigger legs are in satisfactory condition.

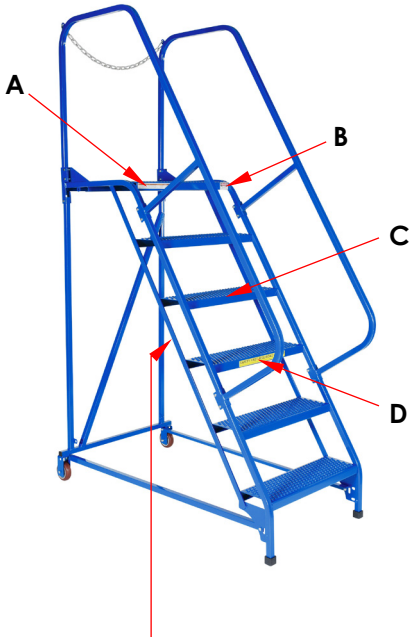
Maintenance: in addition to correcting issues discovered during inspections, maintain the ladder as described below.

- Clean the ladder to remove dirt and grime, especially from step surfaces.
- Lubricate the axle as necessary for the wheels to rotate freely.
- Apply touchup paint wherever the finish is chipped.

LABELING DIAGRAM

Each unit should be labeled as shown in the diagram. Label content and location are subject to change so your product might not be labeled exactly as shown. Compare the diagram below to your [RECORD OF SATISFACTORY CONDITION](#). If there are any differences between actual labeling and this diagram, contact [TECHNICAL SERVICE](#).

Replace all labels that are damaged, missing, or not easily readable (e.g. faded). To order replacement labels or to inquire whether your unit is properly labeled, contact the technical service and parts department online at <https://www.vestil.com/page-parts-request.php> or by calling (260) 665-7586 and asking for the Parts Department.



A: Label 740 (on nosing of a step or platform)

▲ WARNING	▲ ADVERTENCIA	▲ AVERTISSEMENT
<ul style="list-style-type: none"> Do not use near live electric lines Do not climb rails or lean over rails Do not use if damaged or worn Use ladder on level, smooth surfaces only 	<ul style="list-style-type: none"> No use cerca de líneas eléctricas No se suba o se asome en la barandilla No use si esta danado o gastado Use la escalera en superficies a nivel y lisas 	<ul style="list-style-type: none"> Ne pas utiliser près des lignes électriques sous tension Ne pas grimper sur ou vous pencher des rails Ne pas utiliser si endommagée ou usagée Utiliser l'échelle seulement sur des surfaces plates et lisses

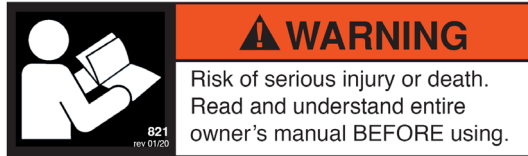
B: Label 729A (on nosing of a step)



C: Label 1153 (on nosing of a step)

MODEL / MODÉLO / MODÈLE _____
WEIGHT / PESO / MASS _____
CAPACITY / CAPACIDAD / CAPACITÉ _____
SERIAL / SERIE / SÉRIE _____
UNITS: 2.2 lb. = 1kg 1" (or 1in.) = 2.54cm 1153

D: Label 821 (on nosing of a step)



NOTE: To provide access to this manual for all persons who use this ladder, a protected copy of the manual should be attached to the ladder. For example, a copy of the manual can be placed inside a transparent plastic pouch or folder that is tied to the ladder frame. An appropriate place to tie the folder to the frame is on the side rail next to the step where label 821 is applied.

LIMITED WARRANTY

In the written request, list the parts believed to be defective and include the address where replacements should be delivered. After Vestil receives your request for warranty service, an authorized representative will contact you to determine whether your claim is covered by the warranty. Before providing warranty service, Vestil will require you to send the entire product, or just the defective part (or parts), to its facility in Angola, IN.

What is covered under the warranty?

The warranty covers defects in the following original, dynamic parts: motors, hydraulic pumps, motor controllers, and cylinders. It also covers defects in original parts that wear under normal usage conditions ("wearing parts"), such as bearings, hoses, wheels, seals, brushes, and batteries.

How long is the warranty period?

The warranty period for original dynamic components is 1 year. For wearing parts, the warranty period is 90 days. Both warranty periods begin on the date Vestil ships the product to the Warrantee. If the product was purchased from an authorized distributor, the periods begin when the distributor ships the product. Vestil may, at its sole discretion, extend a warranty period for products shipped from authorized distributors by up to 30 days to account for shipping time.

If a defective part is covered by the warranty, what will Vestil do to correct the problem?

Vestil will provide an appropriate replacement for any covered part. An authorized representative of Vestil will contact you to discuss your claim.

What is not covered by the warranty?

The Warrantee (you) is responsible for paying labor costs and freight costs to return the product to Vestil for warranty service.

Events that automatically void this Limited Warranty.

- Misuse;
- Negligent assembly, installation, operation or repair;
- Installation/use in corrosive environments;
- Inadequate or improper maintenance;
- Damage sustained during shipping;
- Collisions or other accidents that damage the product;
- Unauthorized modifications: Do not modify the product IN ANY WAY without first receiving written authorization from Vestil.

Do any other warranties apply to the product?

Vestil Manufacturing Corp. makes no other express warranties. All implied warranties are disclaimed to the extent allowed by law. Any implied warranty not disclaimed is limited in scope to the terms of this Limited Warranty. Vestil makes no warranty or representation that this product complies with any state or local design, performance, or safety code or standard. Noncompliance with any such code or standard is not a defect in material or workmanship.